



Electrolux

Spare parts list

When ordering parts, always state:

MODEL NO. - PRODUCT NO. - QUANTITY -

PART NO. - DESCRIPTION

For electric details also state:

VOLTAGE - WATTAGE

Add a 0 in front of part numbers with less than 10 digits

Ground or catalytic enamel, multifunction oven

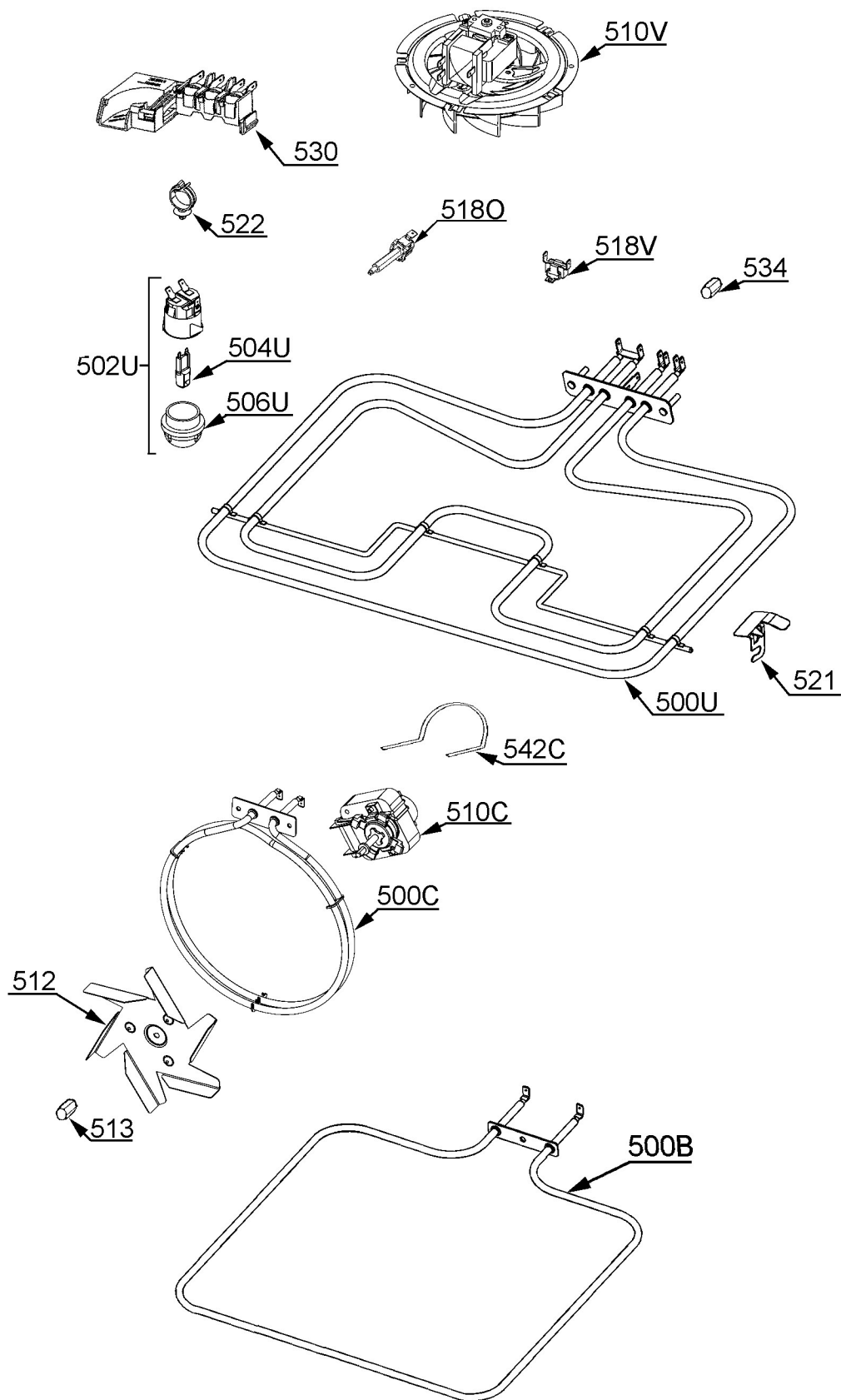
PNC	Voltage	Brand	Model	Door	Market
944184321		Electrolux	EI24EW35LS		CA

SERVICE OFFICE Documentation Centre

Al. Powstancow Slaskich 26
30-570 Krakow
Fax +48 12 296 95 10

Publication-No.
599826202
2018/12/27

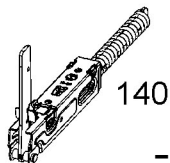
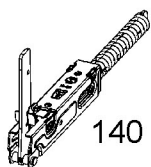
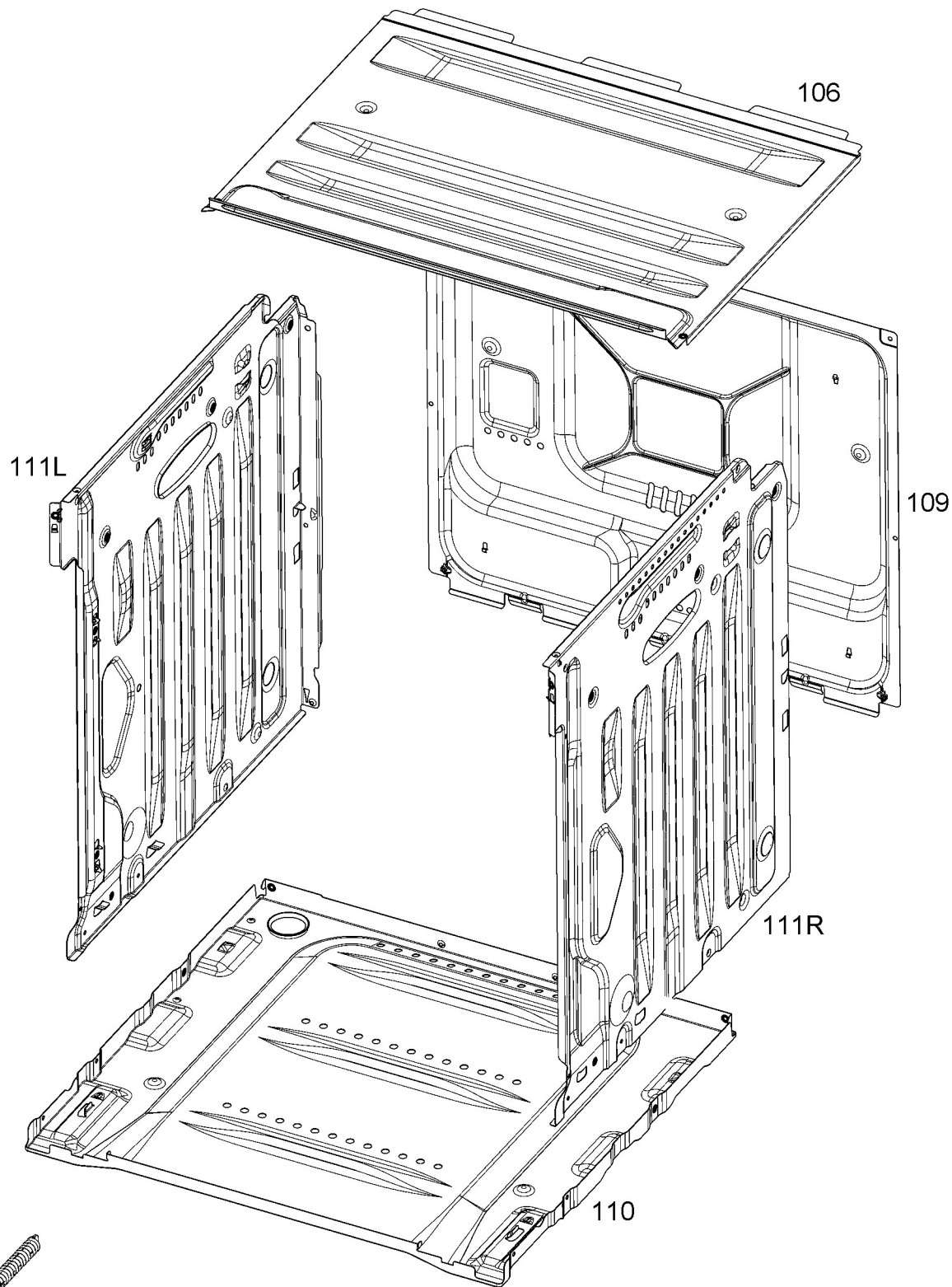
Ground or catalytic enamel,
multifunction oven



Exploded view no.: P00003153497
P00003153497

Matrix	PNC	ELC	ProdDate	Model
A	944184321	03	20181213	EI24EW35LS

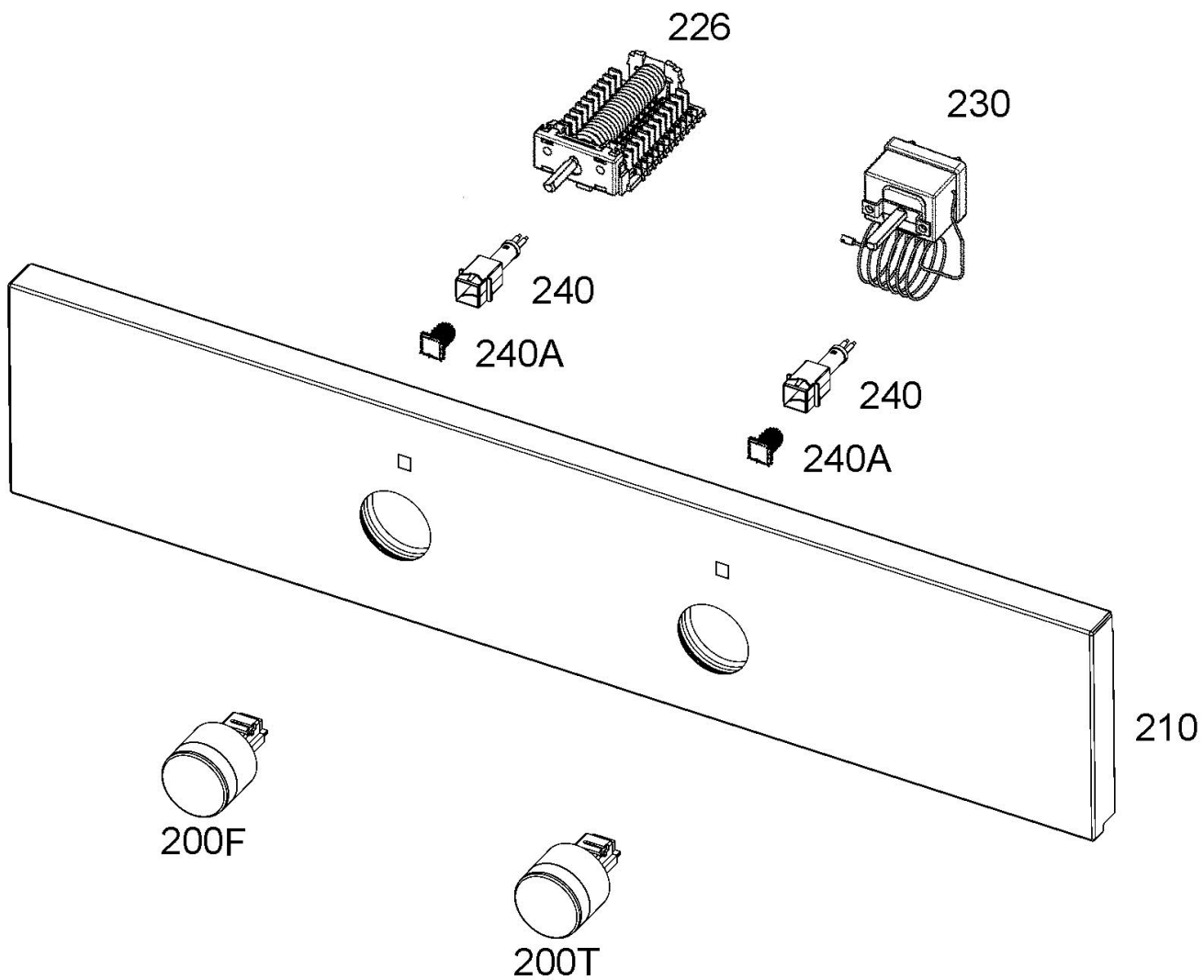
Pos	Part No.	Matrix	Description
500B	140065215026	A	Heating element,lower,230V, 1000W
500C	3878684103	A	Heating element,round,240V, 2400W
500U	140053708131	A	Heating element,upper,240V, 1050W/1900W
502U	8087690031	A	Oven lamp,complete,top,G9,230V,40W
504U	8085641028	A	Bulb,oven lamp,G9,230V,40W
506U	8087690015	A	Glass cover,oven lamp,top
510C	8996619265052	A	Convection micro-motor,230V
510V	140065664066	A	Cooling fan,assembly,240V,11.5W
512	3878453210	A	Fan wheel,convection fan,0,7mm
513	5612312073	A	Nut,convection fan,M6
518O	8072128013	A	Thermostat,klixon,assembly,250deg
518V	8072294013	A	Thermostat,klixon,140deg
521	140061616011	A	Holder,heating element
522	3879638009	A	Cable holder,round,D22mm
530	140045622168	A	Connection box,with,cable,3x AWG 12
534	5610450040	A	Nut,heating element,upper,M4
542C	5614750106	A	Spring,damper,motor
999	140068026016	A	Harness,oven lamp
999	3878730047	A	Nut,heater element,flange,M4



Exploded view no.: P00003127459
P00003153498

Matrix	PNC	ELC	ProdDate	Model
A	944184321	03	20181213	EI24EW35LS

Pos	Part No.	Matrix	Description
106	140032877015	A	Top cover
109	140016738019	A	Back panel,oven
110	140032875019	A	Bottom plate
111L	140032872016	A	Side panel,left
111R	140032872024	A	Side panel,right
140	140059166052	A	Hinge,oven door,7.1-7.8kg

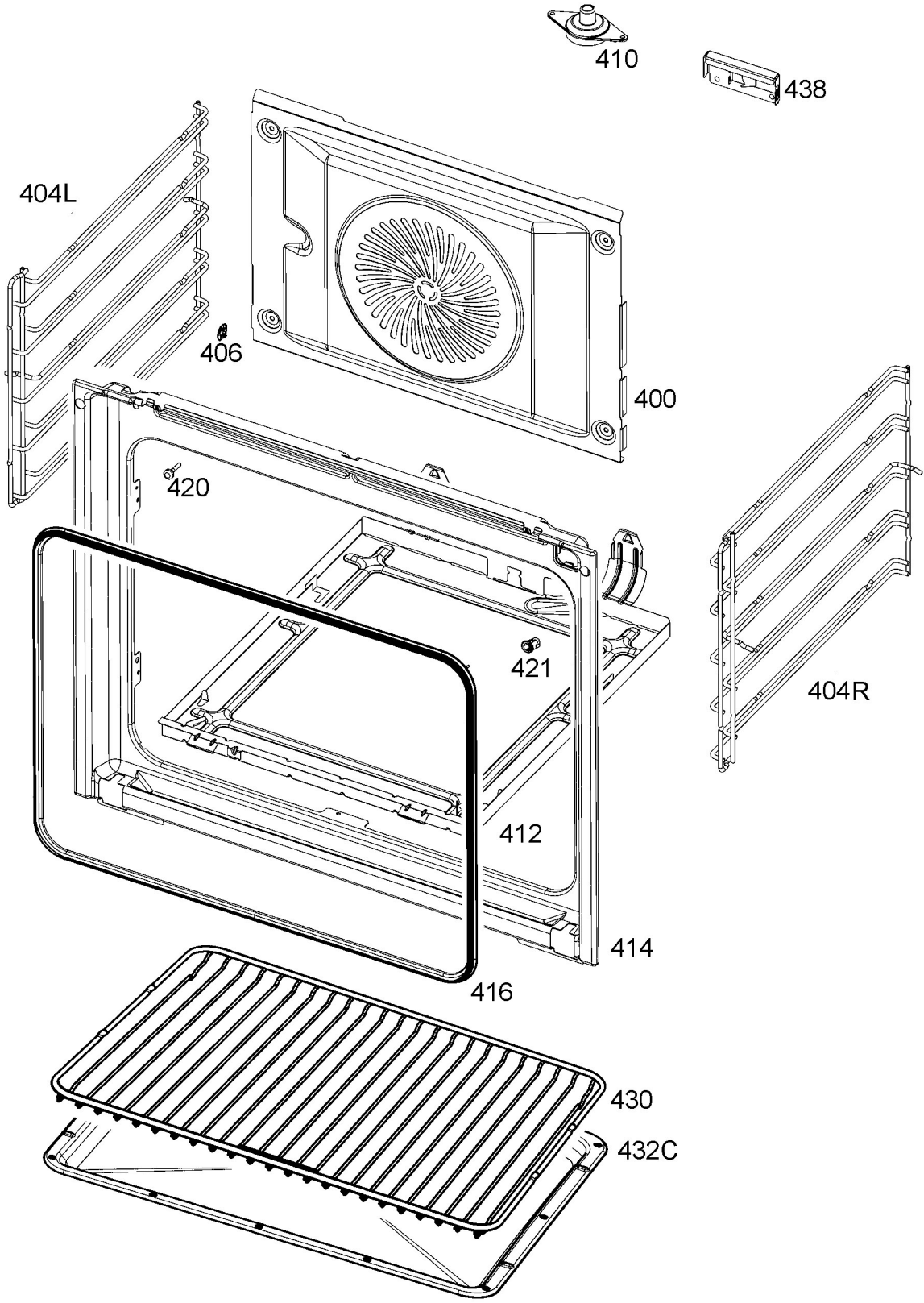


P00003132988

Exploded view no.: P00003132988
P00003153499

Matrix	PNC	ELC	ProdDate	Model
A	944184321	03	20181213	EI24EW35LS

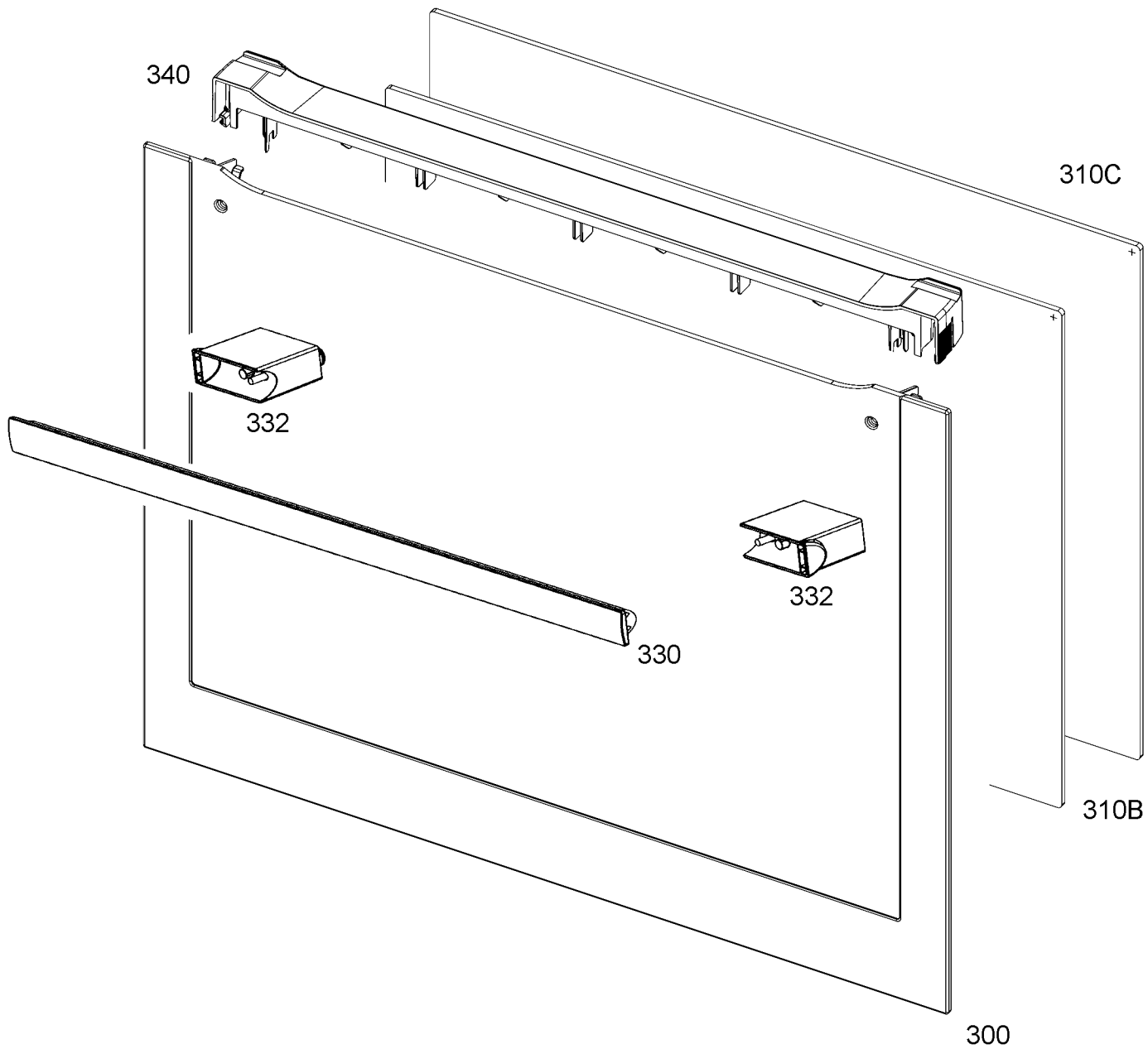
Pos	Part No.	Matrix	Description
200F	5618501026	A	Knob,function,inox,9+0
200T	8071168028	A	Knob,thermostat,inox,0-530F
210	5617367452	A	Control panel,inox,60cm, 2K
226	3872528009	A	Oven switch,0+9
230	5611490011	A	Thermostat,oven
240	140058121017	A	Signal lamp,white,2x
240A	140053827022	A	Indicating glass,control lamp



Exploded view no.: P00003128112
P00003153500

Matrix	PNC	ELC	ProdDate	Model
A	944184321	03	20181213	EI24EW35LS

Pos	Part No.	Matrix	Description
400	140049844032	A	Cover, convection fan
404L	5615311023	A	Grid, left, stopper
404R	5615311015	A	Grid, right, stopper
406	5614852019	A	Clip, fixing, grating
410	3879081010	A	Flange, steam, tube
412	3879653016	A	Shield, bottom, heater
414	140049840196	A	Front frame
416	140043543028	A	Gasket, oven door, non-pyro
420	140005506013	A	Door stopper, rubber, high-temperature
421	3396885018	A	Buffer, front panel
430	140064006012	A	Grill grid, 466x385mm
432C	140020490029	A	Baking tray, 466x385x22mm
438	3878456049	A	Holder, Capillary
999	4055223277	A	Kit, screw, cover panel, 4x



Exploded view no.: P00003051430
P00003153501

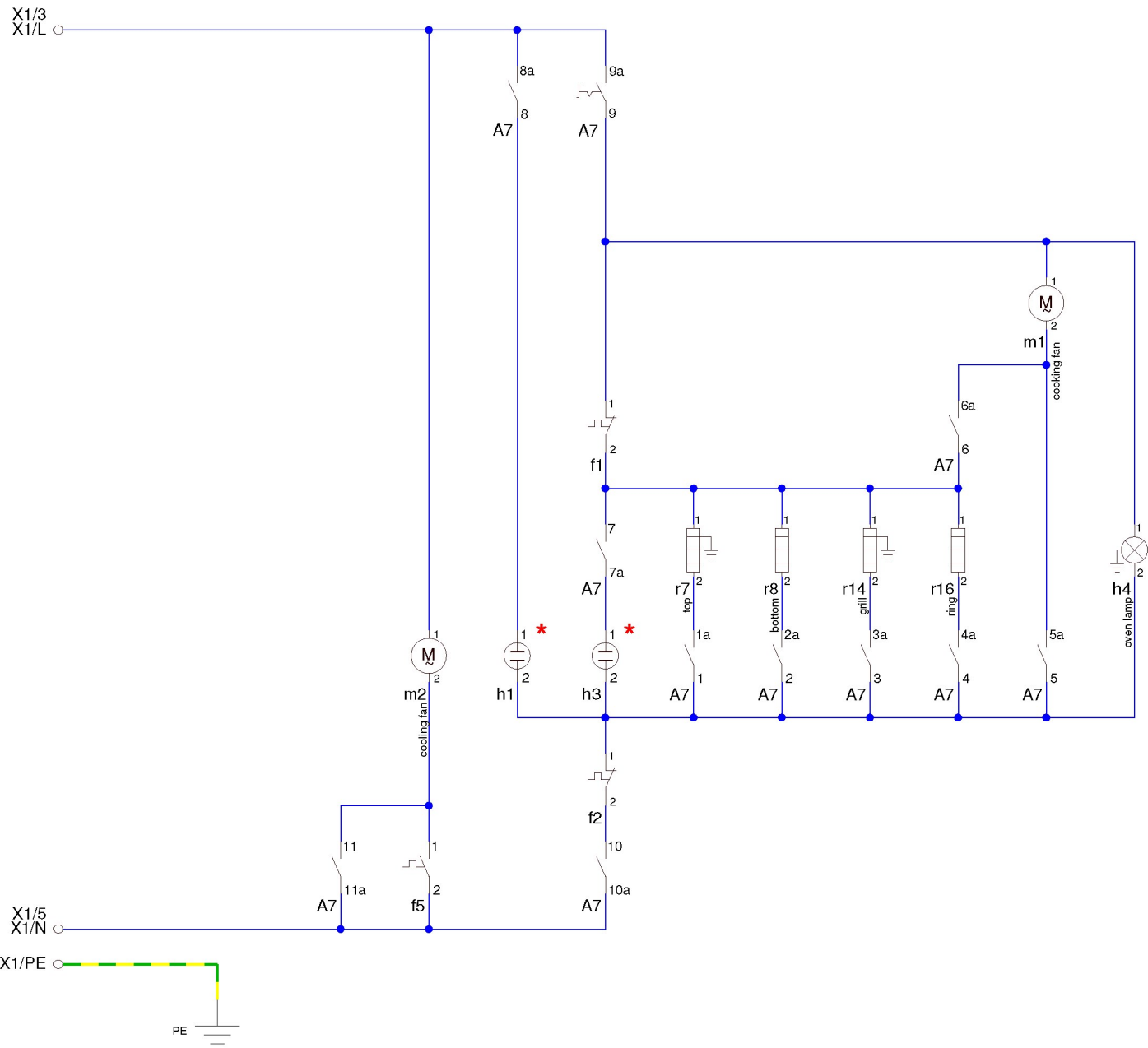
Matrix	PNC	ELC	ProdDate	Model
A	944184321	03	20181213	EI24EW35LS

Pos	Part No.	Matrix	Description
300	140037379074	A	Front glass,inox,Electrolux,592x470mm
310B	3878353014	A	Door glass,499x388.5mm
310C	5616616016	A	Door glass,silkscreened,524x402
330	3548073018	A	Handle,door
332	3554100200	A	Adaptor,door handle
340	5611388256	A	Top cover,door
999	4055186656	A	Kit,screw,door handle,5x M4X44 T20

Kennzeichen	Beschreibung	Description
a1	Schalter 7-Takt VL	switch 7-step front left
a2	Schalter 7-Takt HL	switch 7-step rear left
a3	Schalter 7-Takt HR	switch 7-step rear right
a4	Schalter 7-Takt VR	switch 7-step front right
a7	BO Schalter Hauptbraten	heating mode selector main oven
a71 (a7.1)	BO Schalter Kleinbraten	heating mode selector top oven
a8	LTC (Niedrig Temp. Garen) Schalter	LTC (Low Temp. Cooking) switch
a15	Touchschalter elektron. Warmhalteplatte	touch electronic switch warming zone
a19	Schubladenschalter	drawer switch
a31	Energie regler VL	energy regulator front left
a32	Energie regler HL	energy regulator rear left
a33	Energie regler HR	energy regulator rear right
a34	Energie regler VR	energy regulator front right
a61	Touchschalter elektron. VL	touch electronic switch front left
a62	Touchschalter elektron. HL	touch electronic switch rear left
a73	Touchschalter elektron. HR	touch electronic switch rear right
a84	Touchschalter elektron. VR	touch electronic switch front right
A1	Ventil Abluft	actuator exhaust
A2	Ventil Entdampfen	actuator desteam
b3	Buchse Fleischthermometer	socket meatprobe
BOF	BO Schalter Funktion	mode selector function
ROT	BO Schalter Temperatur	mode selector temperature
c1	Kondensator 1.5uF für Ofenlampe 40W	capacitor 1.5uF for oven lamp 40W
c2	Kondensator 1.0uF für Ofenlampe 25W	capacitor 1.5uF for oven lamp 25W
c4	Netzfilter	interference filter
D	MNL-Stiftgehäuse 1x12-polig	hob connector 12-pol
D5	Türschalter	door switch
e1	Türverriegelung Pyro	door lock pyro
e11	Verteilplatte FE	distributor plate pot detection
E	MNL-Stiftgehäuse 1x8-polig	hob connector 8-pol
F	Stiftgehäuse 21-polig	hob connector 21-pol
f1	Regler Temperatur Hauptbraten	thermostat temp.-regulator main oven
f11 (f1.1)	Regler Temperatur Kleinbraten	thermostat temp.-regulator top oven
f2	Sicherheitstemperaturbegrenzer Hauptbraten	safety temp. limiter main oven
f21 (f2.1)	Sicherheitstemperaturbegrenzer Kleinbraten	safety temp. limiter top oven
f3.1	Klxon_Steam_Generator 170°	thermostat steamgenerator 170°
f3.2	Klxon_Steam_Generator 120°	thermostat steamgenerator 120°
f6	Klxon Lüfternachlauf Braten	thermostat cooling fan delay main oven
f61	Klxon Lüfternachlauf Kleinbraten	thermostat cooling fan delay top oven
f6	Klxon Lüfterschnellauf Pyro	thermostat fast run cooling fan pyro
f7	Magnetensensor	sensor to magnetron
f8	Klxon Übertemperatur Unterhitze	safety temp. limiter bottom heating main oven
f9	LTC (Niedrig Temp. Garen) Thermostat	LTC (Low Temp. Cooking) thermostat
f11	Klxon Entriegelung Pyro Hauptbraten	thermostat unlock pyro main oven
f111	Klxon Entriegelung Pyro Kleinbraten	thermostat unlock pyro top oven
f12	Fremdbeheizter Klxon Lüfternachlauf (Limiter)	thermal switch cooling fan delay off (contact)
f15	2. Sicherheitstemperaturbegrenzer Braten	2. safety temp. limiter oven
f16	Klxon Anzeige Übertemperatur	thermostat overheating warning
f17	Temperatursensor Steam	temperature sensor steam
f18	Temperatursensor Thickfilm	temperature sensor thickfilm
f19	Regler Temperatur Schublade	rack thermostat
f21	Sicherheitstemperaturbegrenzer Grill	safety temp. limiter grill
f22	Sicherheitstemperaturbegrenzer Friteuse	safety temp. limiter fryer
f31	Restwärmekontakt VL	residual contact front left
f32	Restwärmekontakt HL	residual contact rear left
f33	Restwärmekontakt HR	residual contact rear right
f34	Restwärmekontakt VR	residual contact front right
G1_G2	Zündfunken generator	spark generator
G5	Magnetron	magnetron
h1	Glimmleuchte Betrieb	lamp working
h11 (h1.1)	Glimmleuchte Betrieb Kleinbraten	lamp working top oven
h1.4	Glimmleuchte Betrieb Kochzone VL	lamp working cooking zone front left
h1.5	Glimmleuchte Betrieb Kochzone HL	lamp working cooking zone rear left
h1.6	Glimmleuchte Betrieb Kochzone HR	lamp working cooking zone rear right
h1.7	Glimmleuchte Betrieb Kochzone VR	lamp working cooking zone front right
h3	Glimmleuchte Temperaturregelung Hauptbraten	lamp heating main oven
h31 (h3.1)	Glimmleuchte Temperaturregelung Kleinbraten	lamp heating top oven
h4	Bratofenlampe Hauptbraten	oven lamp main oven
h41	Bratofenlampe Kleinbraten	oven lamp top oven
h4.1	Bratofenlampe seitlich Hauptbraten	oven lamp side main oven
h4.6	Halogenlampe	lamp halogen
h5	Bratofenlampe Kleinbraten	oven lamp top oven
h5.1	Bratofenlampe seitlich Kleinbraten	oven lamp side top oven
h7	Fleischtemperaturanzeige	meatprobe display
h9	Anzeigeleuchte Übertemperatur	lamp overheating
h10	Analoguhr	analog timer
h11	Elektronikuhr	electronic timer
h12	6-Tasten Elektronikuhr	6-push electronic timer
h19	Lampe Schubladenbeheizung	lamp drawer heating
h20	Timer Vorwahl VR/HR Mulde	timer primary code hob
h30	Restwärmeanzeige	residual lamp

Kennzeichen	Beschreibung	Description
h40	Anzeigeplatte	display board
h52	Anzeige Herd	display oven
K	Kuppung	clutch
K1	Relais	relay
k1	LTC (Niedrig Temp. Garen) Relais	LTC (Low Temp. Cooking) relay
KS	Schalter Kindersicherung	switch child safety
KS1	Kochplattensteher VL	rolary hot plate front left
KS2	Kochplattensteher HL	rolary hot plate rear left
KS3	Kochplattensteher HR	rolary hot plate rear right
KS4	Kochplattensteher VR	rolary hot plate front right
M1	Muldenanschlußgehäuse 14-polig 1+2	hob connector 14-pol 1+2
M2	Muldenanschlußgehäuse 14-polig 3+4	hob connector 14-pol 3+4
M3	Steckerbinder 11-polig	connector 11-pol
M4	Steckerbinder 7-polig	connector 7-pol
M5	Steckerbinder 3-polig	connector 3-pol
m1	Lüfter Heißluftgebläse Hauptbraten	fan hot air main oven
m11	Lüfter Heißluftgebläse Kleinbraten	fan hot air top oven
m2	Querstromlüfter Braten	fan cooling
m3	Trafo Halogenlampe	transformer halogen lamp
m4	Trafo für Uhr	transformer timer
m5	Trafo Elektronik	transformer electronic
m6	Stirrer Motor	motor stirrer
m8	Hochspannungstransformator	transformer high voltage
m12	Grillmotor	turnspit motor
m13	Zündspule Gas	ignition coil gas
m20	Kühlgebläse L3	cooling fan L3
N1	Elektronikplatine Leistung	electronic powerboard
N2	Induktionsmodul	modul of induction
N3	Eingabedisplay	User Interface
N4	Steckerplatte	connector board
N5	PSU Lichtbalken	PSU lightbar (power supply unit)
N6	Lichtbalken	lightbar
N7	Elektronikplatine Smart	electronic Smart
N8	Eingabeelektronik Touch	touch input
PE2	Erdungsstützpunkt Bodenblech F-Herd	ground point bottom sheet f-oven
PE3	Erdungsstützpunkt Frontrahmen links	ground point front frame left
PE4	Erdungsstützpunkt Frontrahmen rechts	ground point front frame right
PE5	Erdungsstützpunkt SHK-Traverse vorne	ground point bowl support front
PE6	Erdungsstützpunkt SHK-Traverse hinten	ground point bowl support rear
PE7	Erdungsstützpunkt Muldenrahmen	ground point hobframe
PE8	Erdungsstützpunkt Hauptbraten (nur Gasherd)	ground point cavity main (only gas cooker)
PE7/1b	Erdungsstützpunkt Komponententplatte main	ground point component plate main
PE7/1b1	Erdungsstützpunkt Komponententplatte top	ground point component plate top
Q1	Schnellaufheizen Kleinbraten	quick start module top oven
r5	Heizung Steamgenerator	heating element steamgenerator
r6	Oberhitze/Grill Kombination	top heating/grill combination
r7	Oberhitze Hauptbraten	top heating element main oven
r71 (r7.1)	Oberhitze Kleinbraten	top heating element top oven
r8	Unterhitze Hauptbraten	bottom heating element main oven
r81 (r8.1)	Unterhitze Kleinbraten	bottom heating element top oven
r11	Fettfilter	fat and smell
r12	Lüfternachlauf (Limiter)	thermal switch cooling fan delay off (heating)
r14	Grill Hauptbraten	grill heating element main oven
r141 (r14.1)	Grill Kleinbraten	grill heating element top oven
r15	Warmhalteplatte	warming zone
r16	Ringheizkörper	ring heating element main oven
r161	Ringheizkörper Kleinbraten	ring heating element top oven
r19	Heizkörper Schublade	rack heating
r20	Vorwiderstand Kühlgebläse	pre-resistor cooling fan
r21	Heizkörper Grill	heater grill
r22	Heizkörper Friteuse	heater fryer

Kennzeichen	Beschreibung	Description
r27	Vorwiderstand RO-Lampe	pre-resistor oven lamp
r27.1	Vorwiderstand RO-Lampe seitlich	pre-resistor oven lamp side
r31	Kochzone VL	cooking zone front left
r32	Kochzone HL	cooking zone rear left
r33	Kochzone HR	cooking zone rear right
r34	Kochzone VR	cooking zone front right
r35	Kochzone HM oder M	cooking zone rear middle or middle
r36	Kochzone VM	cooking zone front middle
s1	Sensor FE VL	sensor pot detection front left
s2	Sensor FE HL	sensor pot detection rear left
s3	Sensor FE HR	sensor pot detection rear right
s4	Sensor FE VR	sensor pot detection front right
s11	Mikroschalter Umschaltung Gas/Elektro	micro switch gas to electro
s12	Mikroschalter Umschaltung Grill/Friteuse	micro switch grill to fryer
s13	Mikroschalter Buchse Grill	micro switch grill socket
s14	Mikroschalter Sensor	micro switch sensor
s19	Schalter für Schublade	rack switch
s21	Sensor Grill	sensor grill
s22	Sensor Friteuse	sensor fryer
s23	Sensor Wok (Mitte)	sensor wok (middle)
s31	Zündschalter Gas VL	ignition switch gas front left
s32	Zündschalter Gas HL	ignition switch gas rear left
s33	Zündschalter Gas HR	ignition switch gas rear right
s34	Zündschalter Gas VR	ignition switch gas front right
TR	Teleskopschalter Hauptbraten	telescopic runner switch main oven
TR1	Teleskopschalter Kleinbraten	telescopic runner switch top oven
X1	Netzanschlussklemme	main terminal
X2	Netzanschlussklemme vorne	main terminal front
X3	Apparatenstecker	connector apparatus
X10	Stiftdoppelwanne 6-polig	landem pin shells 6-pol
X11	Stiftdoppelwanne 8-polig	landem pin shells 8-pol
X12	Steckerbinder Mulde	connector hob
x20	Steckerleiste L3	frame connector L3



* optional LED-lamp 

Anzahl der Steckmöglichkeiten / Quantity				10					4	2	2	2	2
Steckanschlüsse Quick-Connect terminals													
Anschlußbezeichnung / marking of connector				1 - 2 - 3 - 4 - 5					6 - 7	8	9	10	11
Schalterstellung Drehwinkel rechtsdrehend Clockwise	0	0	0.0°										
	1	LAMP	36.0°							X	X	X	
	2	VULTI	72.0°				X	X		X	X	X	X
	3	PZZA	108.0°		X		X	X		X	X	X	X
	4	T/B	144.0°	X	X					X	X	X	X
	5	BUTTON	180.0°		X					X	X	X	X
	6	DEFROST	216.0°					X			X	X	X
	7	GRILL 1	252.0°			X				X	X	X	X
	8	GRILL 2	288.0°	X		X				X	X	X	X
	9	INFRA	324.0°	X		X			X	X	X	X	X
Anschlußbezeichnung / marking of connector				1a	2a	3a	4a	5a-6a	7a	8a-9a	10a-11a		
Steckanschlüsse Quick-Connect terminals													
Anzahl der Steckmöglichkeiten / Quantity				1	1	1	1	2	1	2	2		